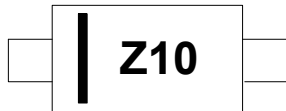


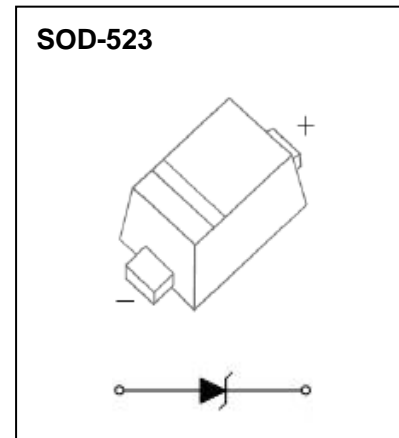
Features

- ◆ Planar die construction
- ◆ General purpose, medium current
- ◆ Ideally suited for automated assembly processes
- ◆ Available in lead free version

Marking Information



Z10 = Device Marking Code



Absolute Maximum Ratings ($T_A=25^{\circ}\text{C}$ unless otherwise specified)

Symbol	Parameter	Value	Unit
P_D	Power Dissipation(Note 1)	250	mW
$R_{\theta JA}$	Thermal Resistance from Junction to Ambient	833	$^{\circ}\text{C}/\text{W}$
T_J, T_{stg}	Operation Junction and Storage Temperature Range	-55~+150	$^{\circ}\text{C}$

Electrical Characteristics ($T_A=25^{\circ}\text{C}$ unless otherwise specified)

Parameter	Symbol	Test conditions	Min	Typ	Max	Unit
Zener voltage range (Note 2)	V_Z	$I_{ZT}=50\mu\text{A}$	1.90		2.10	V
Maximum zener impedance(Note 3)	Z_{ZT}	$I_{ZT}=1\text{mA}$			150	Ω
	Z_{Zk}	$I_{ZK}=1\text{mA}$			600	
Maximum reverse current (Note 2)	I_R	$V_R=1\text{V}$			5.0	μA
Forward voltage (Note 2)	V_F	$I_F = 10\text{mA}$			0.95	V

Notes: 1. Device mounted on a 1 in.² ceramic PCB which spread 2 ounces of copper.

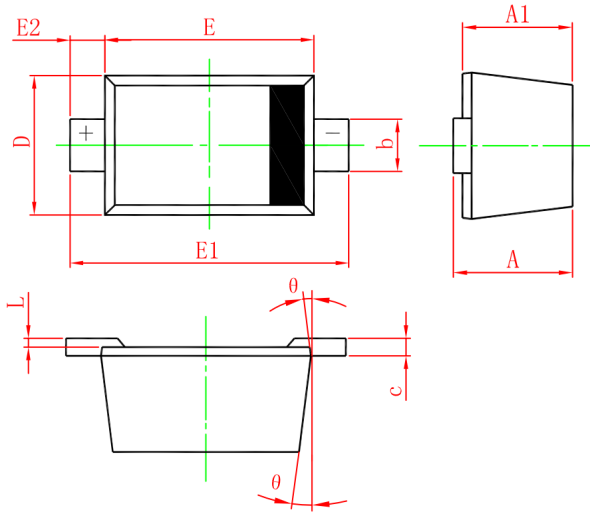
2. Short duration test pulse used to minimize self-heating effect.

3. $f=1\text{kHz}$

Ordering Information

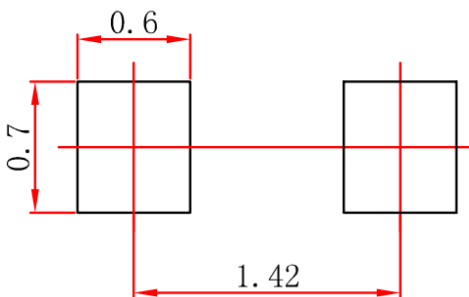
Part Number	Marking	Packaging	Reel Size
MMSZ4679	Z10	3000/Tape & Reel	7 inch

SOD-523 Package Outline Drawing



SYM	DIMENSIONS					
	MILLIMETERS			INCHES		
	MIN	NOM	MAX	MIN	NOM	MAX
A	0.51	--	0.77	0.020	--	0.031
A1	0.50	--	0.70	0.020	--	0.028
b	0.25	--	0.35	0.010	--	0.014
c	0.08	--	0.15	0.003	--	0.006
D	0.75	--	0.85	0.030	--	0.033
E	1.10	--	1.30	0.043	--	0.051
E1	1.50	--	1.70	0.059		0.067
E2	0.20REF			0.008REF		
L	0.01	--	0.07	0.001	--	0.003
Θ	7° REF			7° REF		

Suggested Land Pattern



Unit : mm

Contact Information

Changzhou D-first Electronics CO.,Ltd.

www.first-electronic.com

Email: xhf@first-electronic.cn

Phone: +86 (0519) 8817 1671